



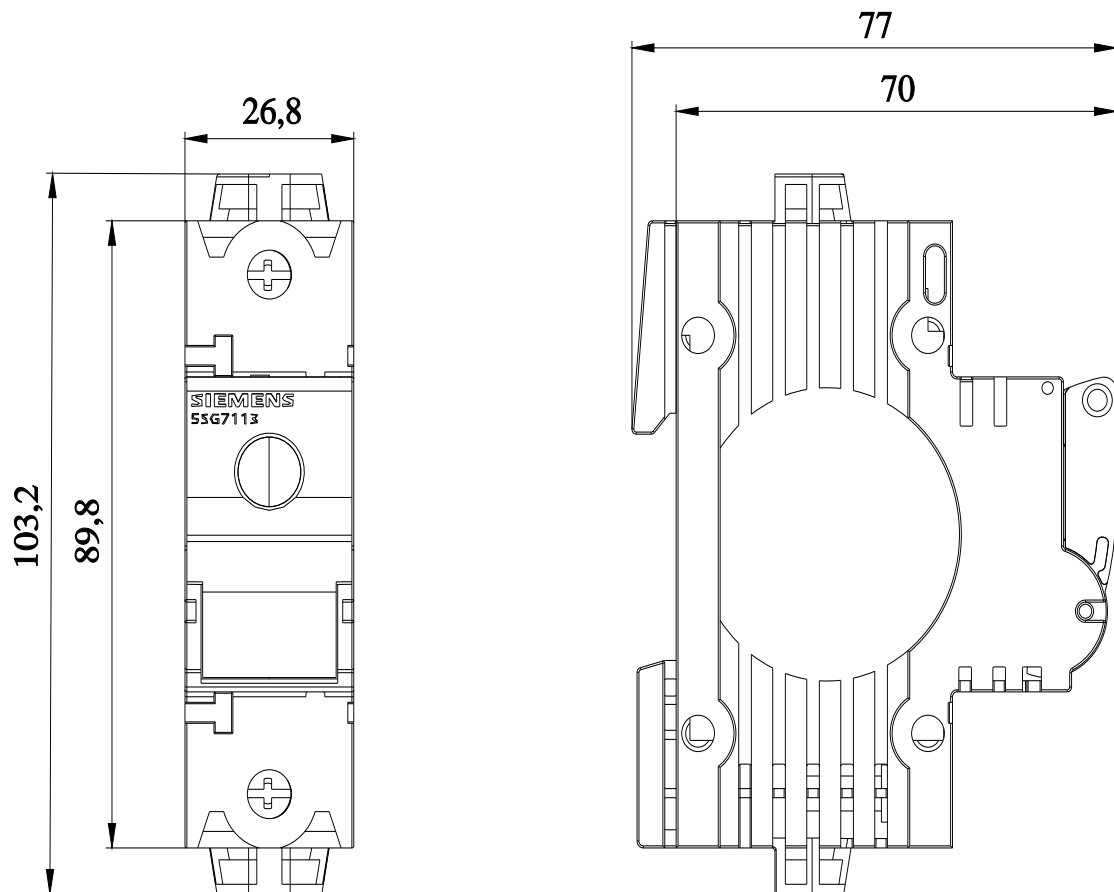
MINIZED, switch disconnecter with fuse, D02, 1-pole, In: 63 A, Un AC: 230 V, without adapter sleeve without fuse link

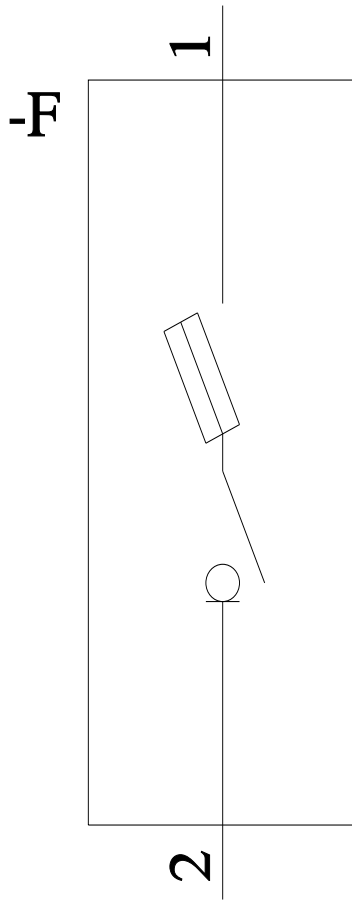
Model		
product brand name	MINIZED	
product designation	Switch disconnectors with fuses	
General technical data		
number of poles	1	
size of fuse system according to EN 60269-1	D02	
overvoltage category	4	
Voltage		
surge voltage resistance rated value	6 kV	
Supply voltage		
operating voltage at AC rated value	230 V	
Protection class		
protection class IP	IP20, with connected conductors	
Dissipation		
power loss [W]	2.5 W	
<ul style="list-style-type: none"> <li>for rated value of the current at AC in hot operating state per pole</li> </ul>		
Product details		
product feature sealable	Yes	
Connections		
tightening torque with screw-type terminals	2.5 N·m	
<ul style="list-style-type: none"> <li>minimum</li> <li>maximum</li> </ul>		
3 N·m		
Mechanical Design		
height	90 mm	
width	27 mm	
depth	70 mm	
mounting position	any, preferably vertical	
Net Weight	163 g	
Approvals Certificates		
General Product Approval	Maritime application	other



other

Environment

**Further information****Information on the packaging**<https://support.industry.siemens.com/cs/ww/en/view/109813875>**Information for data generation and storage**<https://support.industry.siemens.com/cs/ww/en/view/109995012>**Information- and Downloadcenter (Catalogs, Brochures,...)**<https://www.siemens.com/lowvoltage/catalogs>**Industry Mall (Online ordering system)**<https://mall.industry.siemens.com/mall/en/en/Catalog/product?mlfb=5SG7113>**Service&Support (Manuals, Certificates, Characteristics, FAQs,...)**<https://support.industry.siemens.com/cs/ww/en/ps/5SG7113>**Image database (product images, 2D dimension drawings, 3D models, device circuit diagrams, ...)**[https://www.automation.siemens.com/bilddb/cax\\_en.aspx?mlfb=5SG7113](https://www.automation.siemens.com/bilddb/cax_en.aspx?mlfb=5SG7113)**CAX-Online-Generator**<https://www.siemens.com/cax>**Tender specifications**<https://www.siemens.com/specifications>



---

last modified:

4/12/2025 

