



remote operating mechanism 5ST3 Power 230 V AC; 2 MW; for CB, RCCB, RC units, RCBO, ON/OFF switch

Model	
product brand name	SENTRON
product designation	Remote controlled mechanism Power
design of the product	Mountable
display version LED	Yes
design of the product factory mounted	No
electrical endurance (operating cycles) typical	10 000
Supply voltage	
operating voltage	
• rated value	230 V
• at AC rated value minimum	177 V
• at AC rated value maximum	270 V
protection class IP	IP20
Dissipation	
power loss [V·A] during standby	1 W
Control current	
type of voltage of control voltage	AC
Product details	
product feature interlock	Yes
product component	
• fault signal contact	Yes
• auxiliary switch	Yes
number of fault signal contacts	1
number of NC contacts	0
number of NO contacts	0
number of CO contacts	1
design of the auxiliary switch	1 CO contact, 2 A, 250 V AC
product extension can be mounted	Universal
product extension	remote operating mechanism
type of fault signal contact	1 CO, 5 A, 250 V AC
number of remote reset per minute	2
Connections	
wire length in the control circuit	1 500 m
connectable conductor cross-section	
• minimum	0.5 mm ²
• maximum	1.5 mm ²
AWG number as coded connectable conductor cross section	
• minimum	30

<ul style="list-style-type: none"> • maximum 	14
tightening torque with screw-type terminals	
<ul style="list-style-type: none"> • minimum 	0.2 N·m
<ul style="list-style-type: none"> • maximum 	0 N·m

Mechanical Design

height	90 mm
width	36 mm
depth	70 mm
number of modular width units	2
Net Weight	241 g

Environmental conditions

ambient temperature during operation	
<ul style="list-style-type: none"> • minimum 	-25 °C
<ul style="list-style-type: none"> • maximum 	45 °C
ambient temperature during storage minimum	-40 °C

Approvals Certificates

General Product Approval	other
---------------------------------	--------------



[Confirmation](#)

[Miscellaneous](#)



other	Dangerous goods	Environment
--------------	------------------------	--------------------

[Confirmation](#)

[Transport Information](#)

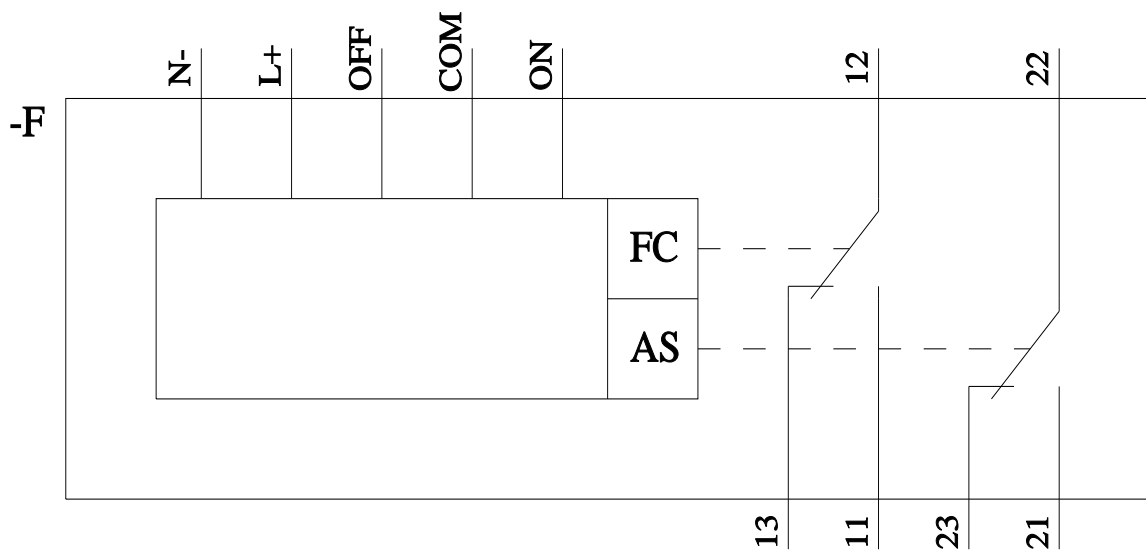
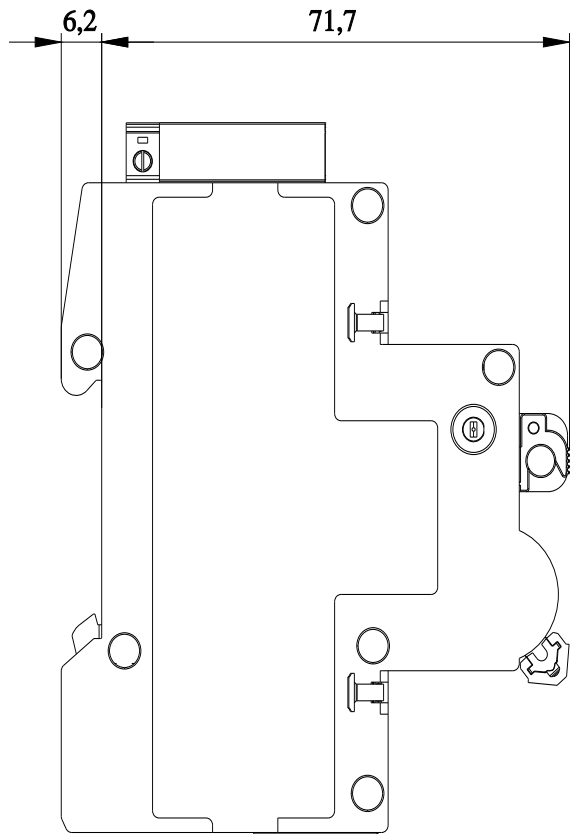
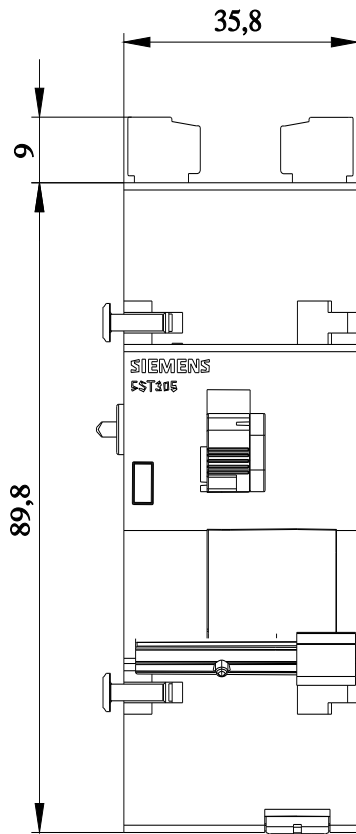
[Environmental Con-
firmations](#)

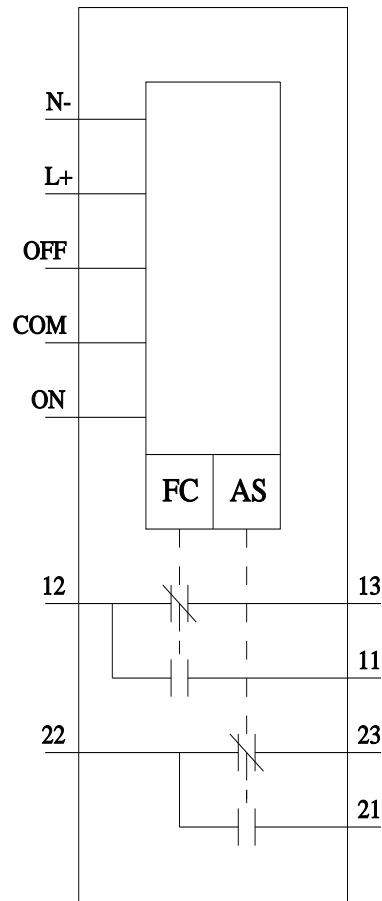


[Environmental Con-
firmations](#)

Further information

- Information on the packaging
<https://support.industry.siemens.com/cs/ww/en/view/109813875>
- Information for data generation and storage
<https://support.industry.siemens.com/cs/ww/en/view/109995012>
- Information- and Downloadcenter (Catalogs, Brochures,...)
<https://www.siemens.com/lowvoltage/catalogs>
- Industry Mall (Online ordering system)
<https://mall.industry.siemens.com/mall/en/en/Catalog/product?mlfb=5ST3056>
- Service&Support (Manuals, Certificates, Characteristics, FAQs,...)
<https://support.industry.siemens.com/cs/ww/en/ps/5ST3056>
- Image database (product images, 2D dimension drawings, 3D models, device circuit diagrams, ...)
https://www.automation.siemens.com/bilddb/cax_en.aspx?mlfb=5ST3056
- CAX-Online-Generator
<https://www.siemens.com/cax>
- Tender specifications
<https://www.siemens.com/specifications>





last modified:

5/9/2025 