

Pin busbar 1-phase, 1016 mm long touch-safe, 18 mm² without end caps, according to UL 508

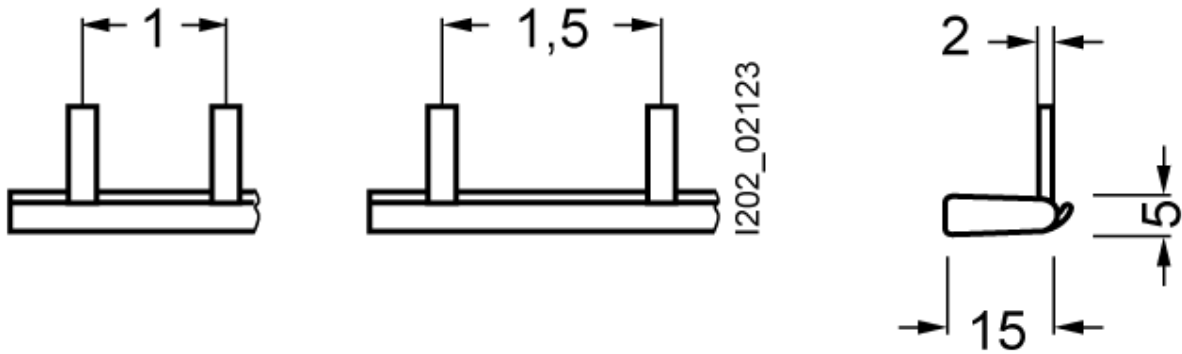


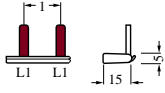
product brand name	SETRON
product designation	Pin busbar
design of the product	56x 1PH
design of the phase tap	L1/L1
General technical data	
compatibility	for MCBs 1P or fuse holders 10 × 38 mm/class CC
design of pole	1 pole
phase number	1
operational current rated value	80 A
suitability for interaction devices with auxiliary switch	No
suitability for interaction devices with N conductor	No
color	light grey
Product details	
product component with end cap	No
product feature attachable arc fault detection device	No
product feature insulated	Yes
product function	
• suitable for compact devices	No
• can be cut	Yes
number of devices suitable for fitting	56
type of electrical connection	Pin
Mechanical Design	
module width	18 mm
height	5 mm
width	15 mm
length	1 000 mm
number of modular width units	56
cross-section	18 mm ²
angle of the pin of busbar	90°
Net Weight	289 g
standards according to UL	508
Approvals Certificates	
General Product Approval	other



[Miscellaneous](#)



[Confirmation](#)[Environmental Con-
firmations](#)[Environmental Con-
firmations](#)**Further information****Information on the packaging**<https://support.industry.siemens.com/cs/ww/en/view/109813875>**Information for data generation and storage**<https://support.industry.siemens.com/cs/ww/en/view/109995012>**Information- and Downloadcenter (Catalogs, Brochures,...)**<https://www.siemens.com/lowvoltage/catalogs>**Industry Mall (Online ordering system)**<https://mall.industry.siemens.com/mall/en/en/Catalog/product?mlfb=5ST3701-0HG>**Service&Support (Manuals, Certificates, Characteristics, FAQs,...)**<https://support.industry.siemens.com/cs/ww/en/ps/5ST3701-0HG>**Image database (product images, 2D dimension drawings, 3D models, device circuit diagrams, ...)**https://www.automation.siemens.com/bilddb/cax_en.aspx?mlfb=5ST3701-0HG**CAX-Online-Generator**<https://www.siemens.com/cax>**Tender specifications**<https://www.siemens.com/specifications>



last modified:

8/8/2025 

