

Pin busbar 1-phase, 1016 mm long touch-safe, 25 mm² without end caps, according to UL 508



product brand name	SETRON
product designation	Pin busbar
design of the product	37x 1PH
design of the phase tap	L1/L1
General technical data	
compatibility	for MCBs 1P or fuse holders 14 × 51 mm
design of pole	1 pole
phase number	1
suitability for interaction devices with auxiliary switch	No
suitability for interaction devices with N conductor	No
color	light grey
Product details	
product component with end cap	No
product feature attachable arc fault detection device	No
product feature insulated	Yes
product function	
• suitable for compact devices	No
• can be cut	Yes
number of devices suitable for fitting	37
type of electrical connection	Pin
Mechanical Design	
module width	18 mm
height	5 mm
width	15 mm
length	1 000 mm
number of modular width units	56
cross-section	25 mm ²
angle of the pin of busbar	90°
Net Weight	340 g
standards according to UL	508

Approvals Certificates

General Product Approval



[Confirmation](#)



[Miscellaneous](#)



other

Environment



[Confirmation](#)

[Environmental Con-
firmations](#)

[Environmental Con-
firmations](#)

Further information

Information on the packaging

<https://support.industry.siemens.com/cs/ww/en/view/109813875>

Information for data generation and storage

<https://support.industry.siemens.com/cs/ww/en/view/109995012>

Information- and Downloadcenter (Catalogs, Brochures,...)

<https://www.siemens.com/lowvoltage/catalogs>

Industry Mall (Online ordering system)

<https://mall.industry.siemens.com/mall/en/en/Catalog/product?mlfb=5ST3701-2HG>

Service&Support (Manuals, Certificates, Characteristics, FAQs,...)

<https://support.industry.siemens.com/cs/ww/en/ps/5ST3701-2HG>

Image database (product images, 2D dimension drawings, 3D models, device circuit diagrams, ...)

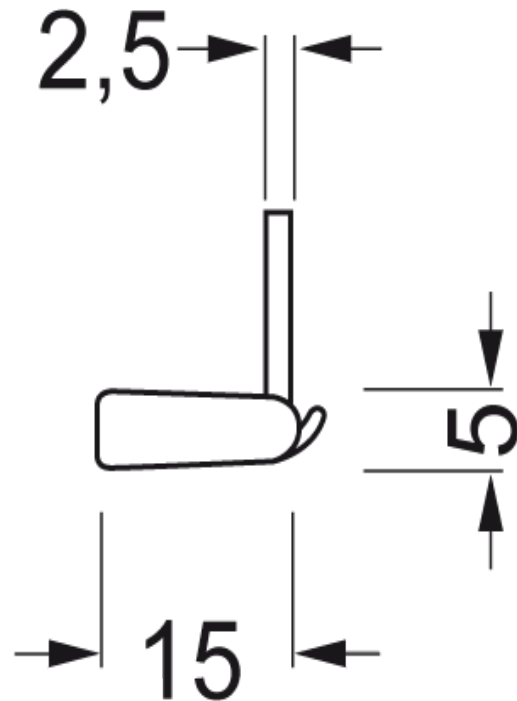
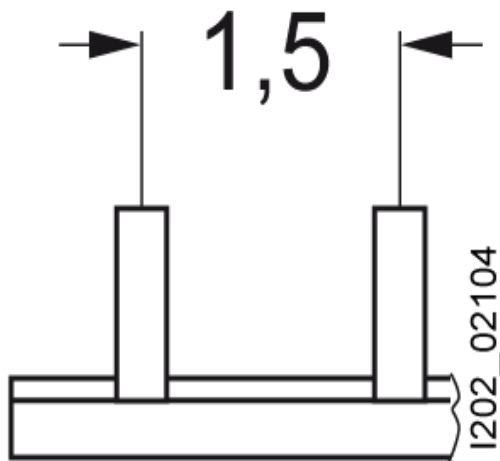
https://www.automation.siemens.com/bilddb/cax_en.aspx?mlfb=5ST3701-2HG

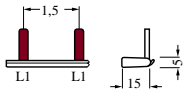
CAx-Online-Generator

<https://www.siemens.com/cax>

Tender specifications

<https://www.siemens.com/specifications>





last modified:

8/8/2025 

