

Pin busbar 2-phase, 1016 mm long touch-safe, 18 mm<sup>2</sup> without end caps, according to UL 508



product brand name	SENTRON
product designation	Pin busbar
design of the product	28x 2PH
design of the phase tap	L1/L2
<b>General technical data</b>	
compatibility	for MCBs 2P or fuse holders 10 × 38 mm/class CC
design of pole	2 poles
phase number	2
operational current rated value	80 A
suitability for interaction devices with auxiliary switch	No
suitability for interaction devices with N conductor	No
color	light grey
<b>Product details</b>	
product component with end cap	No
product feature attachable arc fault detection device	No
product feature insulated	Yes
product function	
• suitable for compact devices	No
• can be cut	Yes
number of devices suitable for fitting	28
type of electrical connection	Pin
<b>Mechanical Design</b>	
module width	18 mm
height	23 mm
width	21 mm
length	1 000 mm
number of modular width units	56
cross-section	18 mm <sup>2</sup>
angle of the pin of busbar	0°
Net Weight	639 g
standards according to UL	508
<b>Approvals Certificates</b>	
General Product Approval	

[Confirmation](#)



[Miscellaneous](#)



[Confirmation](#)[Environmental Con-  
firmations](#)[Environmental Con-  
firmations](#)**Further information**

Information on the packaging

<https://support.industry.siemens.com/cs/ww/en/view/109813875>

Information for data generation and storage

<https://support.industry.siemens.com/cs/ww/en/view/109995012>

Information- and Downloadcenter (Catalogs, Brochures,...)

<https://www.siemens.com/lowvoltage/catalogs>

Industry Mall (Online ordering system)

<https://mall.industry.siemens.com/mall/en/en/Catalog/product?mlfb=5ST3705-0HG>

Service&amp;Support (Manuals, Certificates, Characteristics, FAQs,...)

<https://support.industry.siemens.com/cs/ww/en/ps/5ST3705-0HG>

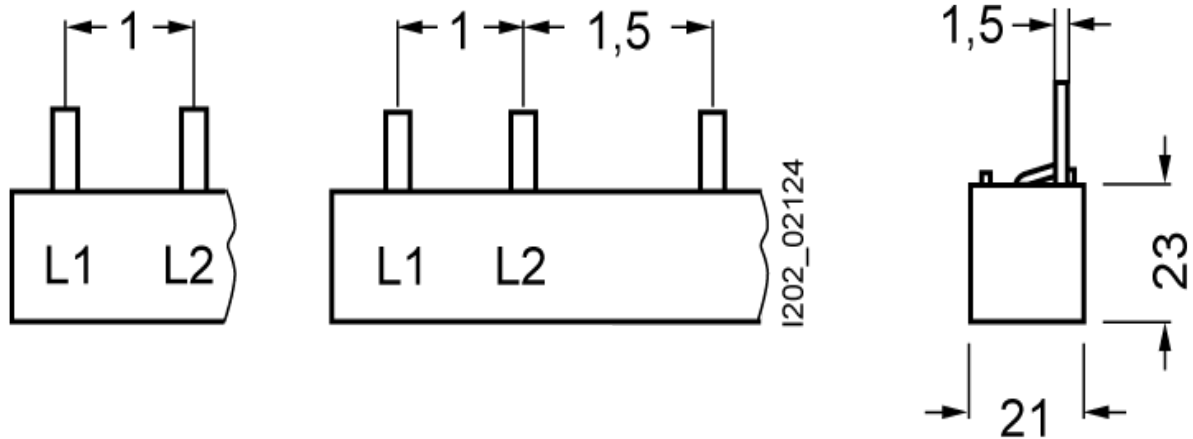
Image database (product images, 2D dimension drawings, 3D models, device circuit diagrams, ...)

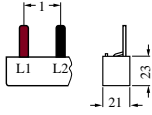
[https://www.automation.siemens.com/bilddb/cax\\_en.aspx?mlfb=5ST3705-0HG](https://www.automation.siemens.com/bilddb/cax_en.aspx?mlfb=5ST3705-0HG)

CAx-Online-Generator

<https://www.siemens.com/cax>

Tender specifications

<https://www.siemens.com/specifications>



---

last modified:

8/8/2025 

