

End cap 1-phase for pin busbars according to UL 508



Model	
product brand name	SETRON
product designation	End cap
design of the product	1-phase for pin busbars acc. to UL 508
Mechanical Design	
Net Weight	0.5 g
Approvals Certificates	
General Product Approval	




[Confirmation](#)



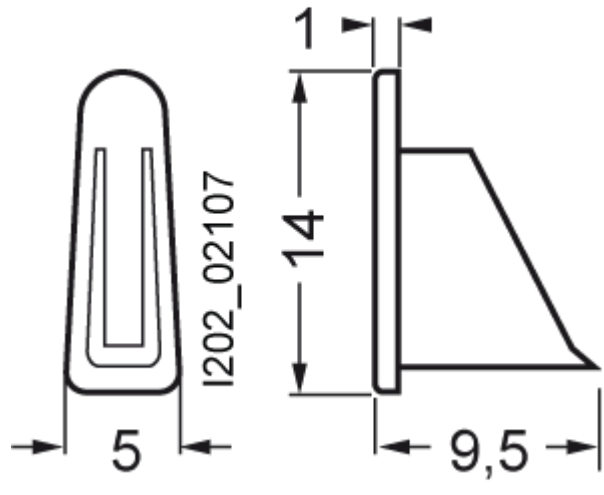
[Miscellaneous](#)



other	Environment		
	<p>Confirmation</p>	<p>Environmental Con- firmations</p>	<p>Environmental Con- firmations</p>

Further information

- Information on the packaging
<https://support.industry.siemens.com/cs/ww/en/view/109813875>
- Information for data generation and storage
<https://support.industry.siemens.com/cs/ww/en/view/109995012>
- Information- and Downloadcenter (Catalogs, Brochures,...)
<https://www.siemens.com/lowvoltage/catalogs>
- Industry Mall (Online ordering system)
<https://mall.industry.siemens.com/mall/en/en/Catalog/product?mlfb=5ST3748-0HG>
- Service&Support (Manuals, Certificates, Characteristics, FAQs,...)
<https://support.industry.siemens.com/cs/ww/en/ps/5ST3748-0HG>
- Image database (product images, 2D dimension drawings, 3D models, device circuit diagrams, ...)
https://www.automation.siemens.com/bilddb/cax_en.aspx?mlfb=5ST3748-0HG
- CAX-Online-Generator
<https://www.siemens.com/cax>
- Tender specifications
<https://www.siemens.com/specifications>



last modified:

4/11/2025 

