

Handle coupler for residual current miniature circuit breaker D=70 mm for mounting additional components (1 set=5 units in poly bag)



| Model | |
|--|--|
| product brand name | SENTRON |
| product designation | Handle coupler |
| design of the product | For RCCB D=70 mm for fitting additional components (1 set=5 units in poly bag) |
| design of the locking device against switching off | No |
| design of the locking device against restart | No |
| product feature sealable | No |
| Mechanical Design | |
| depth | 70 mm |
| Net Weight | 5.3 g |
| Approvals Certificates | |
| General Product Approval | other |



[Confirmation](#)

[Miscellaneous](#)



| other | Environment |
|------------------------------|---|
| Confirmation | Environmental Confirmations |
| | Environmental Confirmations |

Further information

Information on the packaging

<https://support.industry.siemens.com/cs/ww/en/view/109813875>

Information for data generation and storage

<https://support.industry.siemens.com/cs/ww/en/view/109995012>

Information- and Downloadcenter (Catalogs, Brochures,...)

<https://www.siemens.com/lowvoltage/catalogs>

Industry Mall (Online ordering system)

<https://mall.industry.siemens.com/mall/en/en/Catalog/product?mlfb=5ST3805-1>

Service&Support (Manuals, Certificates, Characteristics, FAQs,...)

<https://support.industry.siemens.com/cs/ww/en/ps/5ST3805-1>

Image database (product images, 2D dimension drawings, 3D models, device circuit diagrams, ...)

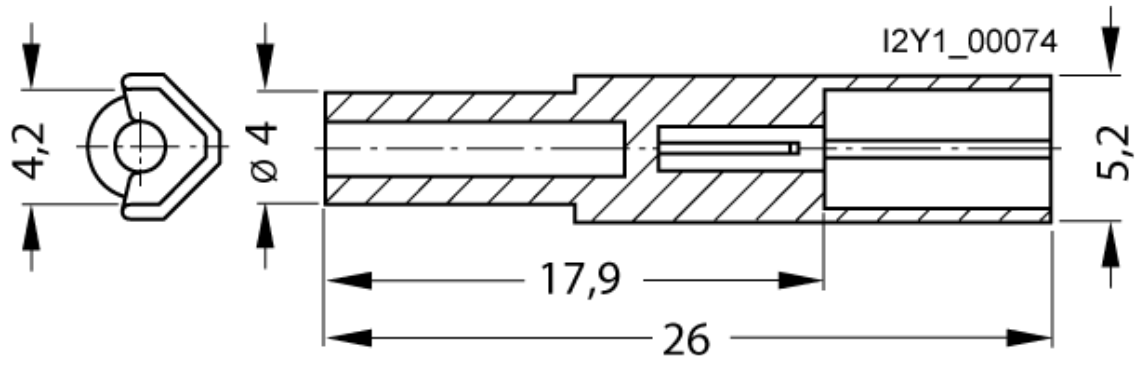
https://www.automation.siemens.com/bilddb/cax_en.aspx?mlfb=5ST3805-1

CAX-Online-Generator

<https://www.siemens.com/cax>

Tender specifications

<https://www.siemens.com/specifications>



last modified:

4/11/2025 

