

Adapter for LS 5SL 5SN 3, 4 MW 5SY...cc 3 up to 4 MW Accessory for remote operating mechanism



Model		
product brand name	SENTRON	
product designation	adapter	
design of the product	Accessories	
Accessories		
accessories	others	
Mechanical Design		
Net Weight	11 g	
Approvals Certificates		
General Product Approval	other	Environment

[Confirmation](#)

[Miscellaneous](#)



[Confirmation](#)

[Environmental Con-
firmations](#)

Environment

[Environmental Con-
firmations](#)

Further information

Information on the packaging

<https://support.industry.siemens.com/cs/ww/en/view/109813875>

Information for data generation and storage

<https://support.industry.siemens.com/cs/ww/en/view/109995012>

Information- and Downloadcenter (Catalogs, Brochures,...)

<https://www.siemens.com/lowvoltage/catalogs>

Industry Mall (Online ordering system)

<https://mall.industry.siemens.com/mall/en/en/Catalog/product?mlfb=5ST3820-7>

Service&Support (Manuals, Certificates, Characteristics, FAQs,...)

<https://support.industry.siemens.com/cs/ww/en/ps/5ST3820-7>

Image database (product images, 2D dimension drawings, 3D models, device circuit diagrams, ...)

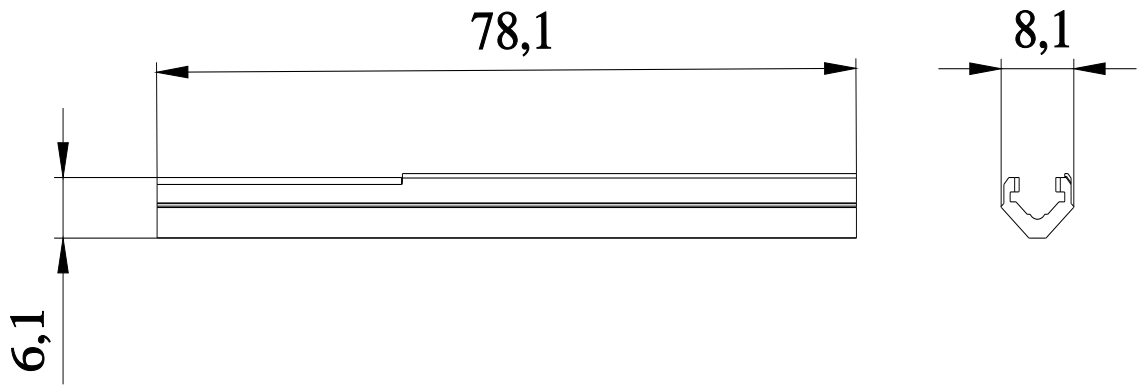
https://www.automation.siemens.com/bilddb/cax_en.aspx?mlfb=5ST3820-7

CAX-Online-Generator

<https://www.siemens.com/cax>

Tender specifications

<https://www.siemens.com/specifications>



last modified:

4/12/2025 

