



5SV6 AFDD/RCB 6kA C06 1+N 1MW Big Pack 12 pcs

Figure similar

| Model                                                                               |                                                       |
|-------------------------------------------------------------------------------------|-------------------------------------------------------|
| product brand name                                                                  | SENTRON                                               |
| product designation                                                                 | AFDD/RCB                                              |
| design of the product                                                               | Compact unit                                          |
| General technical data                                                              |                                                       |
| number of poles                                                                     | 2                                                     |
| design of pole                                                                      | 1P+N                                                  |
| tripping characteristic class                                                       | C                                                     |
| size of installation devices according to DIN 43880                                 | 1                                                     |
| touch protection against electrical shock according to EN 50274                     | finger and back-of-hand safe                          |
| mechanical service life (operating cycles) typical                                  | 10 000                                                |
| switching function short-term delayed                                               | No                                                    |
| overvoltage category                                                                | 3                                                     |
| degree of pollution                                                                 | 2                                                     |
| type of voltage of the operating voltage                                            | AC                                                    |
| Supply voltage                                                                      |                                                       |
| supply voltage                                                                      |                                                       |
| • at AC                                                                             | 230 V                                                 |
| value range of the supply voltage frequency                                         | 50Hz                                                  |
| Protection class                                                                    |                                                       |
| protection class IP                                                                 | IP20, with connected protective device and conductors |
| Breaking Capacity                                                                   |                                                       |
| switching capacity current                                                          |                                                       |
| • according to EN 60898-1 rated value                                               | 6 000 A                                               |
| • according to IEC 60947-2 rated value                                              | 6 000 A                                               |
| energy limitation class                                                             | 3                                                     |
| Dissipation                                                                         |                                                       |
| power loss [W] for rated value of the current at AC in hot operating state per pole | 0.45 W                                                |
| Product details                                                                     |                                                       |
| product feature halogen-free                                                        | Yes                                                   |
| product feature silicon-free                                                        | Yes                                                   |
| product extension installable supplementary devices                                 | Yes                                                   |
| Connections                                                                         |                                                       |
| connectable conductor cross-section solid                                           |                                                       |
| • minimum                                                                           | 0.75 mm <sup>2</sup>                                  |
| • maximum                                                                           | 16 mm <sup>2</sup>                                    |

|                                                                                     |                      |
|-------------------------------------------------------------------------------------|----------------------|
| <b>connectable conductor cross-section stranded</b>                                 |                      |
| • minimum                                                                           | 0.75 mm <sup>2</sup> |
| • maximum                                                                           | 16 mm <sup>2</sup>   |
| <b>connectable conductor cross-section finely stranded with core end processing</b> |                      |
| • minimum                                                                           | 0.75 mm <sup>2</sup> |
| • maximum                                                                           | 10 mm <sup>2</sup>   |
| <b>tightening torque with screw-type terminals</b>                                  |                      |
| • minimum                                                                           | 1.2 N·m              |
| • maximum                                                                           | 2 N·m                |
| <b>position of power supply cord</b>                                                | any                  |

#### Mechanical Design

|                                      |          |
|--------------------------------------|----------|
| <b>height</b>                        | 90 mm    |
| <b>width</b>                         | 18 mm    |
| <b>depth</b>                         | 68.5 mm  |
| <b>installation depth</b>            | 70 mm    |
| <b>number of modular width units</b> | 1        |
| <b>fastening method</b>              | DIN rail |
| <b>mounting position</b>             | any      |
| <b>Net Weight</b>                    | 119 g    |

#### Environmental conditions

|                                                                                    |        |
|------------------------------------------------------------------------------------|--------|
| <b>ambient temperature during operation</b>                                        |        |
| • minimum                                                                          | -25 °C |
| • maximum                                                                          | 45 °C  |
| <b>ambient temperature during storage</b>                                          |        |
| • minimum                                                                          | -40 °C |
| • maximum                                                                          | 75 °C  |
| <b>ambient temperature with relative humidity 95%</b>                              | 55 °C  |
| <b>number of test cycles for environmental testing according to IEC 60068-2-30</b> | 28     |

#### Certificates

|                                                |   |
|------------------------------------------------|---|
| <b>reference code according to IEC 81346-2</b> | F |
|------------------------------------------------|---|

#### Approvals Certificates

|                                 |       |             |
|---------------------------------|-------|-------------|
| <b>General Product Approval</b> | other | Environment |
|---------------------------------|-------|-------------|



[Confirmation](#)

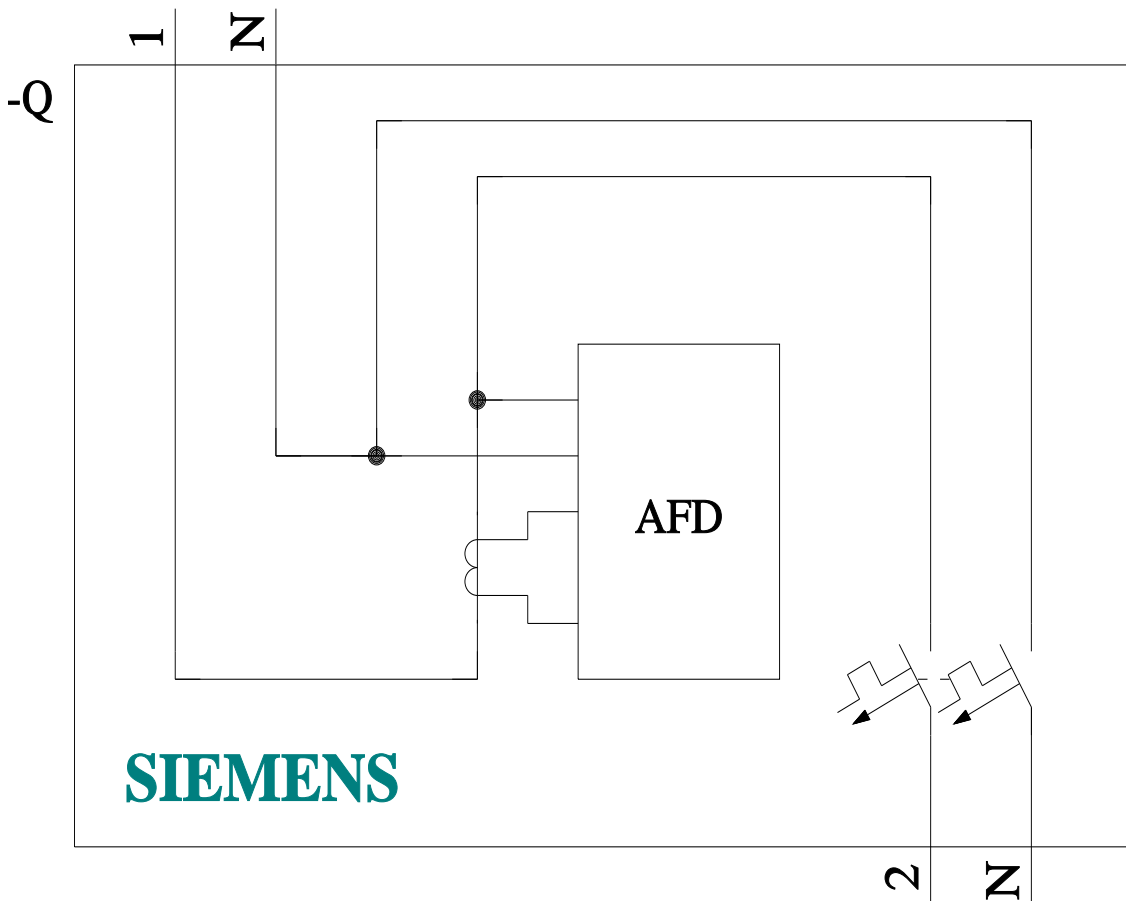
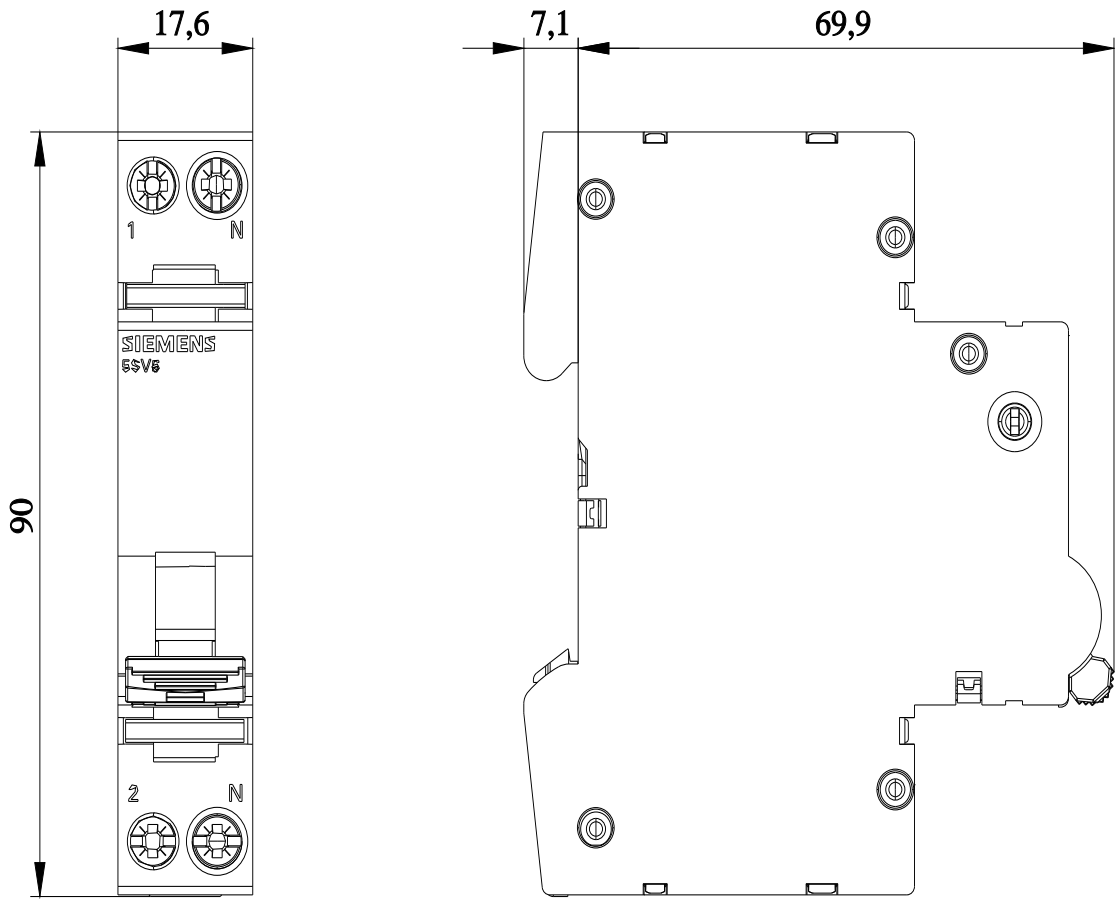


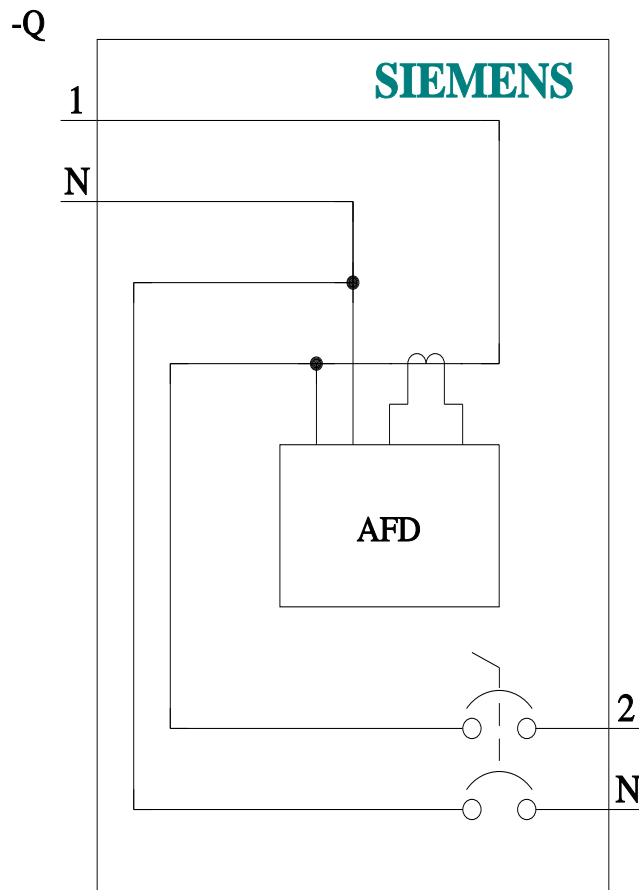
[Environmental Confirmations](#)

[Environmental Confirmations](#)

#### Further information

- Information on the packaging**  
<https://support.industry.siemens.com/cs/ww/en/view/109813875>
- Information for data generation and storage**  
<https://support.industry.siemens.com/cs/ww/en/view/109995012>
- Information- and Downloadcenter (Catalogs, Brochures,...)**  
<https://www.siemens.com/lowvoltage/catalogs>
- Industry Mall (Online ordering system)**  
<https://mall.industry.siemens.com/mall/en/en/Catalog/product?mlfb=5SV6016-7GV06>
- Service&Support (Manuals, Certificates, Characteristics, FAQs,...)**  
<https://support.industry.siemens.com/cs/ww/en/ps/5SV6016-7GV06>
- Image database (product images, 2D dimension drawings, 3D models, device circuit diagrams, ...)**  
[https://www.automation.siemens.com/bilddb/cax\\_en.aspx?mlfb=5SV6016-7GV06](https://www.automation.siemens.com/bilddb/cax_en.aspx?mlfb=5SV6016-7GV06)
- CAX-Online-Generator**  
<https://www.siemens.com/cax>
- Tender specifications**  
<https://www.siemens.com/specifications>





last modified:

7/19/2025 

