



Socket outlet 16 A with grounding pin according to GEE 7 for installation in distribution boards

Model	
product brand name	SETRON
product designation	Socket outlet
design of the special power supply unit	Without special power supply
General technical data	
mounting type	Latching mounting
material	Thermoplastic
Supply voltage	
supply voltage frequency rated value	50 Hz
Protection class	
protection class IP	IP20
Main circuit	
operating frequency	
• minimum	50 Hz
• maximum	50 Hz
operational current rated value	16 A
Appearance	
appearance	Matt
RAL color number	7 035
color	grey
Product details	
product component	
• increased touch protection	No
• integrated light source	No
• hinged lid	No
product feature halogen-free	Yes
Number	
number of terminals with cross-head screw	1
number of sockets	1
Connections	
stripped length	10 mm
arrangement of contacts diagonal	No
connectable conductor cross-section for rigid conductor	
• minimum	1.5 mm <sup>2</sup>
• maximum	6 mm <sup>2</sup>
connectable conductor cross-section finely stranded with core end processing minimum	0.5 mm <sup>2</sup>
tightening torque with screw-type terminals maximum	1.2 N·m
type of electrical connection	Screw terminal

Mechanical Design	
height	55.5 mm
width	44 mm
depth	75 mm
installation depth	70 mm
number of modular width units	2.5
fastening method	DIN rail
Net Weight	87 g
material of the enclosure	plastic
Environmental conditions	
ambient temperature during operation minimum	-10 °C
Certificates	
reference code according to IEC 81346-2	XD
Approvals Certificates	
General Product Approval	other



[Confirmation](#)



[Confirmation](#)

#### Environment



[Environmental Con-  
firmations](#)

[Environmental Con-  
firmations](#)

#### Further information

##### Information on the packaging

<https://support.industry.siemens.com/cs/ww/en/view/109813875>

##### Information for data generation and storage

<https://support.industry.siemens.com/cs/ww/en/view/109995012>

##### Information- and Downloadcenter (Catalogs, Brochures,...)

<https://www.siemens.com/lowvoltage/catalogs>

##### Industry Mall (Online ordering system)

<https://mall.industry.siemens.com/mall/en/en/Catalog/product?mlfb=5TE6803>

##### Service&Support (Manuals, Certificates, Characteristics, FAQs,...)

<https://support.industry.siemens.com/cs/ww/en/ps/5TE6803>

##### Image database (product images, 2D dimension drawings, 3D models, device circuit diagrams, ...)

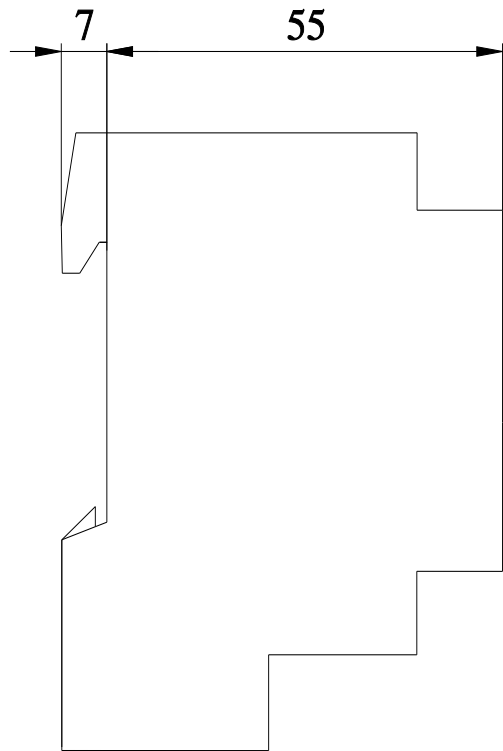
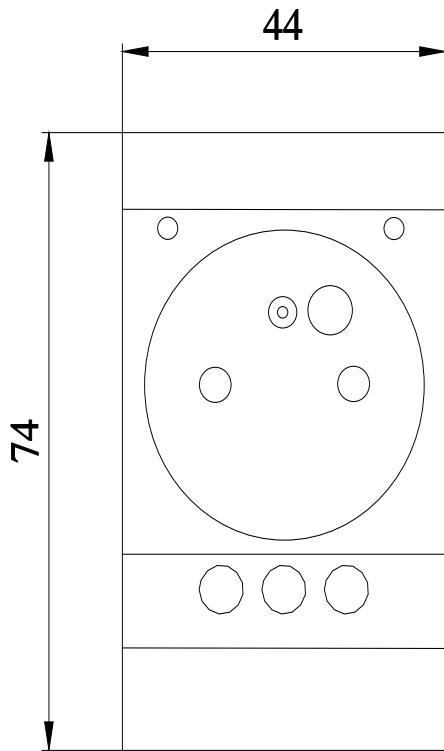
[https://www.automation.siemens.com/bilddb/cax\\_en.aspx?mlfb=5TE6803](https://www.automation.siemens.com/bilddb/cax_en.aspx?mlfb=5TE6803)

##### CAX-Online-Generator

<https://www.siemens.com/cax>

##### Tender specifications

<https://www.siemens.com/specifications>



---

last modified:

11/24/2025 

