



DELTA i-system titanwhite USB-SCHUKO socket outlet 2 USB A+C Power: Up to 18W

Model	
product brand name	DELTA
design of the product	SCHUKO socket outlet CEE 7/3 (type F)
cover version	central plate
design of the special power supply unit	Other
design of the socket according to VDE 0620 for severe conditions	No
design of the phase tap	No
General technical data	
marking of socket outlet	without imprint
mounting type	fixing with claw and screw
surface processing	others
material	thermoplastic
Supply voltage	
operating voltage rated value	250 V
supply voltage frequency rated value	50 Hz
Protection class	
protection class IP	IP20
Main circuit	
operational current rated value	16 A
Appearance	
RAL color number (similar)	9 010
color	titanium white
Product details	
product component	
<ul style="list-style-type: none"> • ejection equipment • labeling field • increased touch protection • residual current device • miniature fuse • integrated functional lighting • integrated light source • integrated orientation lighting • hinged lid 	<ul style="list-style-type: none"> No No Yes No No No No No No
product feature lockable	No
product feature halogen-free	Yes
product feature transparent	No
Product function	
product function	

• socket selectable	No	
• overvoltage protection	No	
Number		
number of units	1	
number of sockets switchable	0	
Connections		
arrangement of contacts diagonal	No	
type of electrical connection	plug terminal	
Mechanical Design		
height	70 mm	
width	70 mm	
depth	45 mm	
fastening method	flush mounting	
Net Weight	134 g	
material of the enclosure	plastic	
Environmental footprint		
global warming potential [CO2 eq] total	4.77 kg	
global warming potential [CO2 eq] during manufacturing	0.284 kg	
global warming potential [CO2 eq] during operation	4.48 kg	
global warming potential [CO2 eq] after end of life	7.42E-5 kg	
Approvals Certificates		
General Product Approval	other	Environment



[Confirmation](#)



[Environmental Confirmations](#)

Further information

Information on the packaging

<https://support.industry.siemens.com/cs/ww/en/view/109813875>

Information for data generation and storage

<https://support.industry.siemens.com/cs/ww/en/view/109995012>

Information- and Downloadcenter (Catalogs, Brochures,...)

<https://www.siemens.com/lowvoltage/catalogs>

Industry Mall (Online ordering system)

<https://mall.industry.siemens.com/mall/en/en/Catalog/product?mlfb=5UB1970-1TW01>

Service&Support (Manuals, Certificates, Characteristics, FAQs,...)

<https://support.industry.siemens.com/cs/ww/en/ps/5UB1970-1TW01>

Image database (product images, 2D dimension drawings, 3D models, device circuit diagrams, ...)

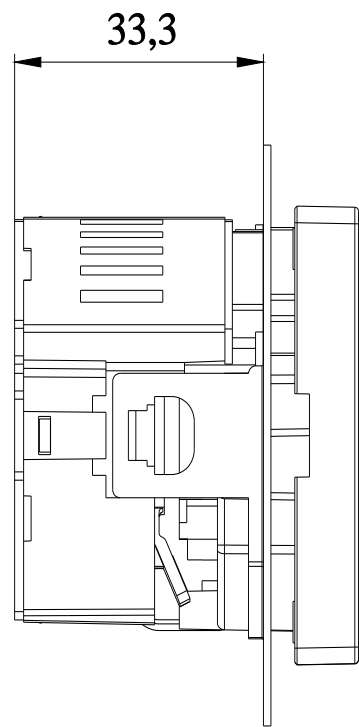
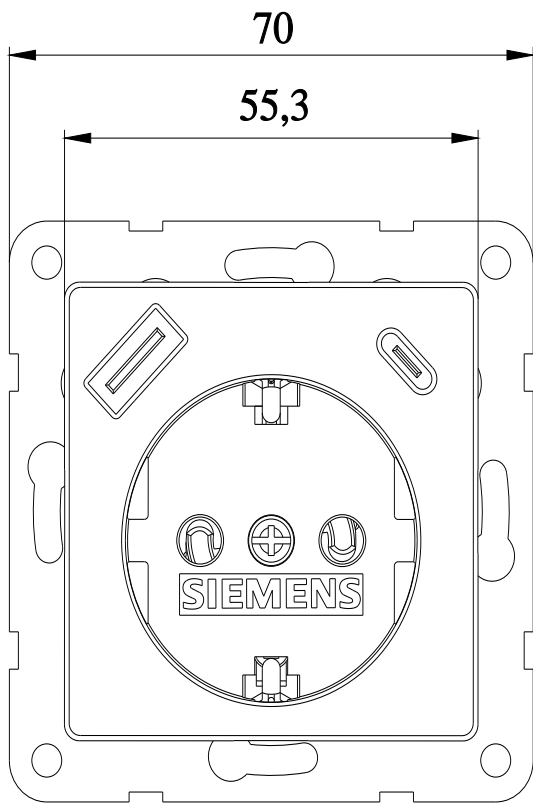
https://www.automation.siemens.com/bilddb/cax_en.aspx?mlfb=5UB1970-1TW01

CAX-Online-Generator

<https://www.siemens.com/cax>

Tender specifications

<https://www.siemens.com/specifications>



last modified:

10/23/2025 

