



data manager 7KT1261 3-phase measuring device and data collector for up to 96 outgoing load feeders configuration and read-out on responsive Web browser (PC, SmartPhone, tablet, etc.) data storage in the form of energy monitoring light extraction in various data formats, such as CSV

Model		
product brand name	SETRON	
product designation	Multichannel current measuring device	
product type designation	7KT PAC1200	
General technical data		
measuring precision	Total accuracy +/-1% (of full-scale value / class 1)	
measured variable current rated value	63 A	
Supply voltage		
type of measurable line frequency full-scale value	50 / 60 ± 5%	
line frequency rated value		
• 50 Hz	Yes	
• 60 Hz	Yes	
protection class IP on the front	IP2X	
Suitability		
suitability for use ammeter	No	
suitability for use reactive power meter	Yes	
suitability for use revolution measuring instrument	No	
suitability for use frequency meter	Yes	
suitability for use pulse counter	No	
suitability for use voltmeter	No	
suitability for use wattmeter	Yes	
Mechanical Design		
height	88 mm	
depth	65 mm	
number of modular width units	4	
Net Weight	328 g	
Approvals Certificates		
General Product Approval	other	Environment



[Confirmation](#)



Environment

[Environmental Con-
firmations](#)

[Environmental Con-
firmations](#)

Further information

Information on the packaging

<https://support.industry.siemens.com/cs/ww/en/view/109813875>

Information for data generation and storage

<https://support.industry.siemens.com/cs/ww/en/view/109995012>

Information- and Downloadcenter (Catalogs, Brochures,...)

<https://www.siemens.com/lowvoltage/catalogs>

Industry Mall (Online ordering system)

<https://mall.industry.siemens.com/mall/en/en/Catalog/product?mlfb=7KT1261>

Service&Support (Manuals, Certificates, Characteristics, FAQs,...)

<https://support.industry.siemens.com/cs/ww/en/ps/7KT1261>

Image database (product images, 2D dimension drawings, 3D models, device circuit diagrams, ...)

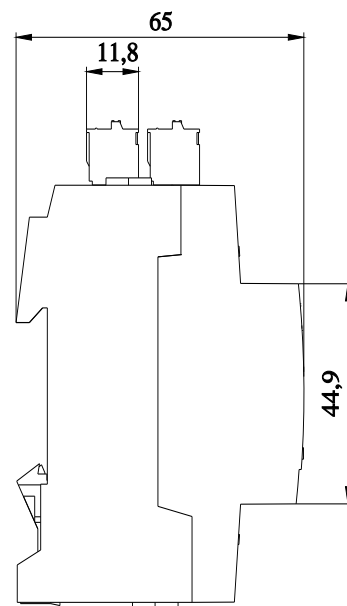
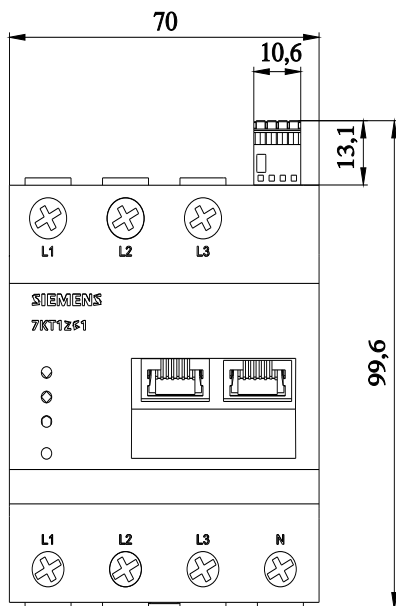
https://www.automation.siemens.com/bilddb/cax_en.aspx?mlfb=7KT1261

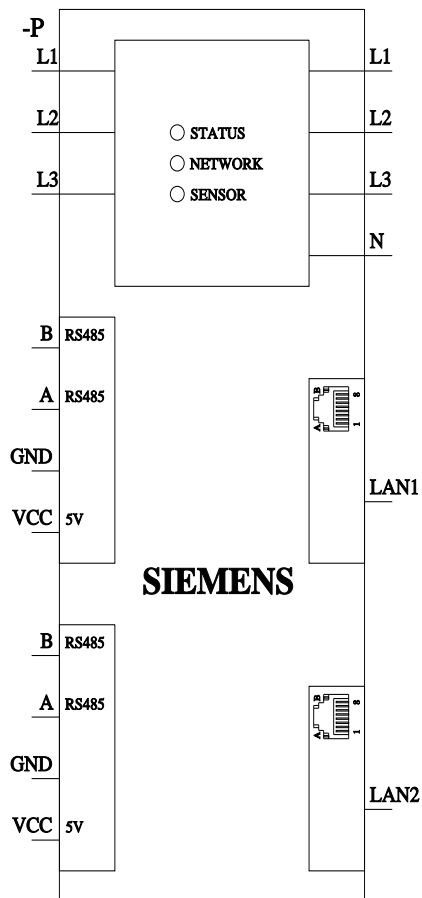
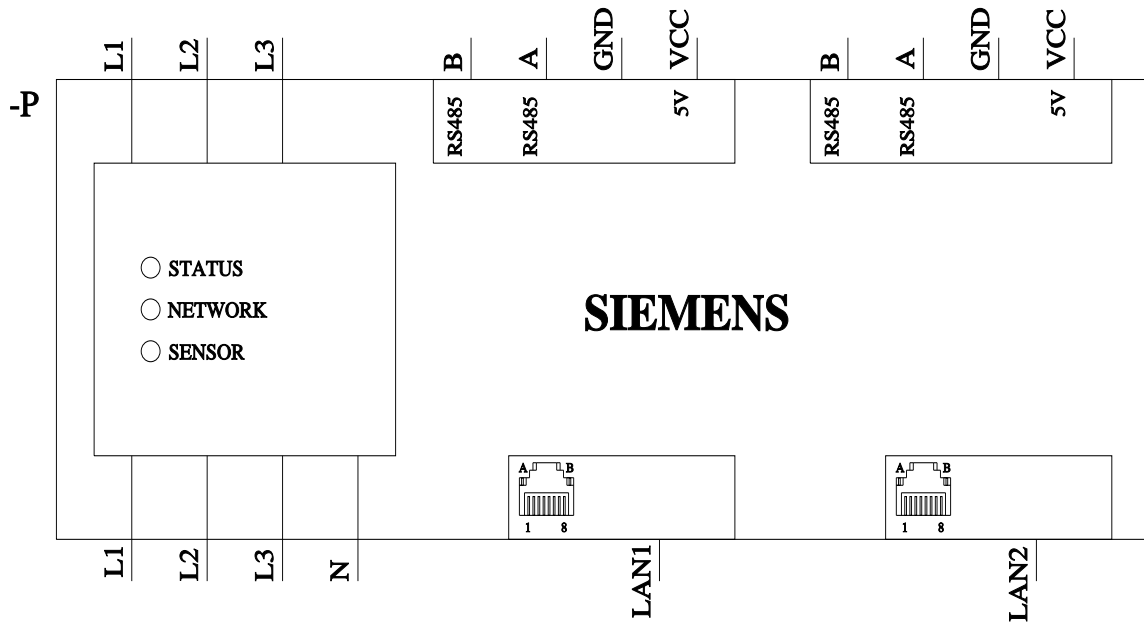
CAX-Online-Generator

<https://www.siemens.com/cax>

Tender specifications

<https://www.siemens.com/specifications>





last modified:

5/26/2025

