



SETRON measuring device, 7KT PAC1600, LCD, L-L: 400 V, L-N: 230 V, 80 A, DIN rail instrument, 3-phase, Modbus RTU/ASCII +, MID, apparent / active / reactive energy, with internal power supply, screw terminal, 30 units

Model		
product brand name	SETRON	
product designation	Energy counter	
product quality calibrated	Yes	
type of measured value detection load profile	No	
General technical data		
energy-related number of pulses		
• minimum	1 1/kVAh	
• maximum	1 000 1/kVAh	
type of the power supply network	three-wire/four-wire	
Supply voltage		
operating voltage		
• between L and L minimum	323 V	
• between L and L maximum	456 V	
• between N and L minimum	187 V	
• between N and L maximum	264 V	
Protection class		
protection class IP	IP40	
Main circuit		
operational current rated value	80 A	
Suitability		
suitability for use	Import/export	
Product function		
product function		
• backstop	Yes	
• blocking code	Yes	
Number		
number of characters that can be displayed	10	
Mechanical Design		
number of modular width units	4	
fastening method	DIN rail device	
Net Weight	291 g	
Approvals Certificates		
General Product Approval	other	Environment



[Confirmation](#)

[Environmental Confirmations](#)

Further information

Information on the packaging

<https://support.industry.siemens.com/cs/ww/en/view/109813875>

Information for data generation and storage

<https://support.industry.siemens.com/cs/ww/en/view/109995012>

Information- and Downloadcenter (Catalogs, Brochures,...)

<https://www.siemens.com/lowvoltage/catalogs>

Industry Mall (Online ordering system)

<https://mall.industry.siemens.com/mall/en/en/Catalog/product?mlfb=7KT1666-0EE00-0EE0>

Service&Support (Manuals, Certificates, Characteristics, FAQs,...)

<https://support.industry.siemens.com/cs/ww/en/ps/7KT1666-0EE00-0EE0>

Image database (product images, 2D dimension drawings, 3D models, device circuit diagrams, ...)

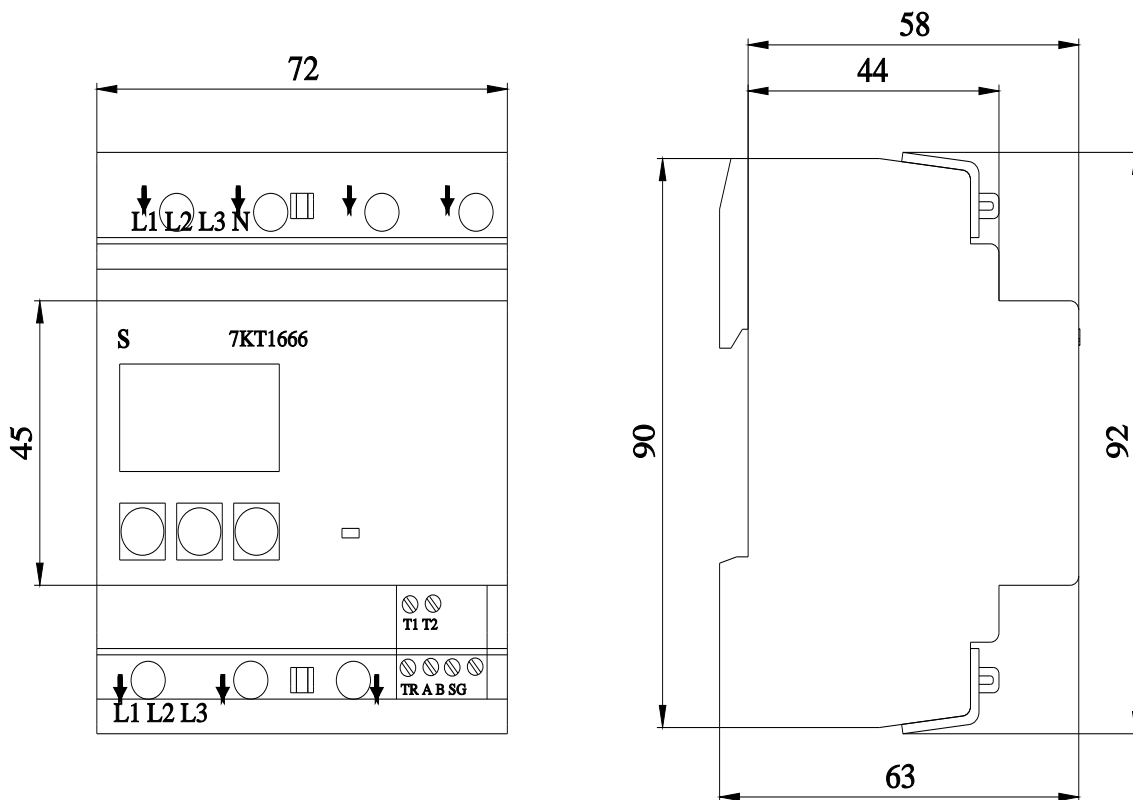
https://www.automation.siemens.com/bilddb/cax_en.aspx?mlfb=7KT1666-0EE00-0EE0

CAx-Online-Generator

<https://www.siemens.com/cax>

Tender specifications

<https://www.siemens.com/specifications>



last modified:

10/14/2025

